



 **syona**

HUSH
Premium & Premium Plus

**USER
MANUAL**

 **syona**



Most Energy Efficient BLDC Motor

- Congratulations on becoming the proud owner of the **Hush Fan** !
- We appreciate you for giving us an opportunity to supply the **Hush Fan**, undoubtedly the best in this segment
- This user manual explains how to use the **Hush Fan**.
- Please read this manual before operating your **Hush Fan**.
- And keep it safe for your future reference.



syonafans.com

Please be advised explicitly that we cannot accept any legal claims out of the contents of this manual. If repair work has to be performed, make sure that only genuine spare parts are used since genuine spare parts only may guarantee continuous and dependable operation of your Fan.

ROOTS INDUSTRIES INDIA PRIVATE LIMITED
Kathirnaickenpalayam Road, Thoppampatti Post,
Coimbatore, Tamil Nadu – 641017, INDIA.



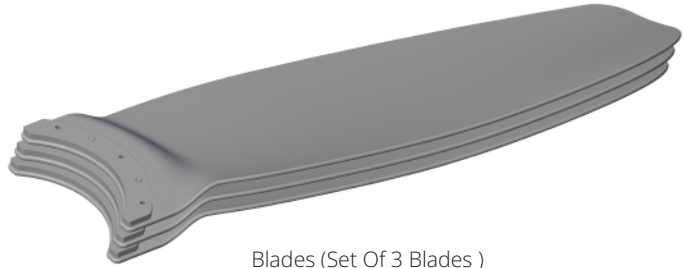
INDEX

S.No.	Description	Pg.No
01.	List of fan Parts	6
02.	Safety Instructions	8
03.	Installation Instruction	10
04.	Product Specification	25
05.	Product Features	26
06.	Remote Features	28
07.	Trouble Shooting	31
08.	Savings Calculation	33
09.	Maintenance Instruction	35

1 LIST OF FAN PARTS



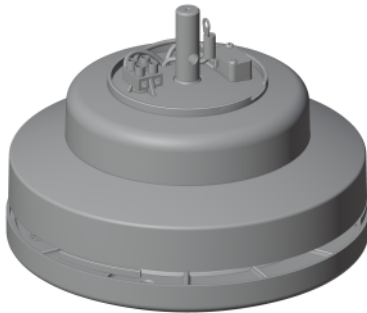
Remote (1 No)



Blades (Set Of 3 Blades)



Ceiling Pipe (1 No)



Motor (1 No)



Canopy Bottom (1 No)



Canopy Top (1 No)



Canopy Pipe (1 No)

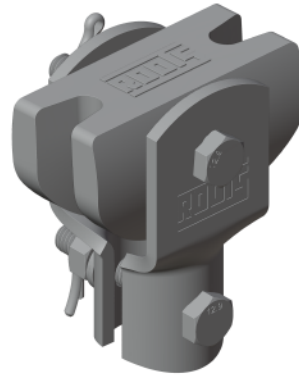
LIST OF FAN PARTS



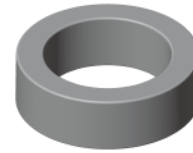
Safety wire screw set
(1 no. each)



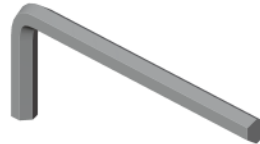
Blade mount screw set
(9 nos. each)



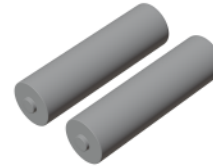
Shackle Kit (1 No)



Rubber Washer (1 No)



Allen Key (1 No.)



Battery (2 Nos)



Safety wire (1 No.)

2 SAFETY INSTRUCTIONS



- Fan speed should be regulated through remote only. Please disconnect the regulator from fan power supply



- Do not install the fan if any part is found damaged or missing.



SAFETY INSTRUCTIONS:

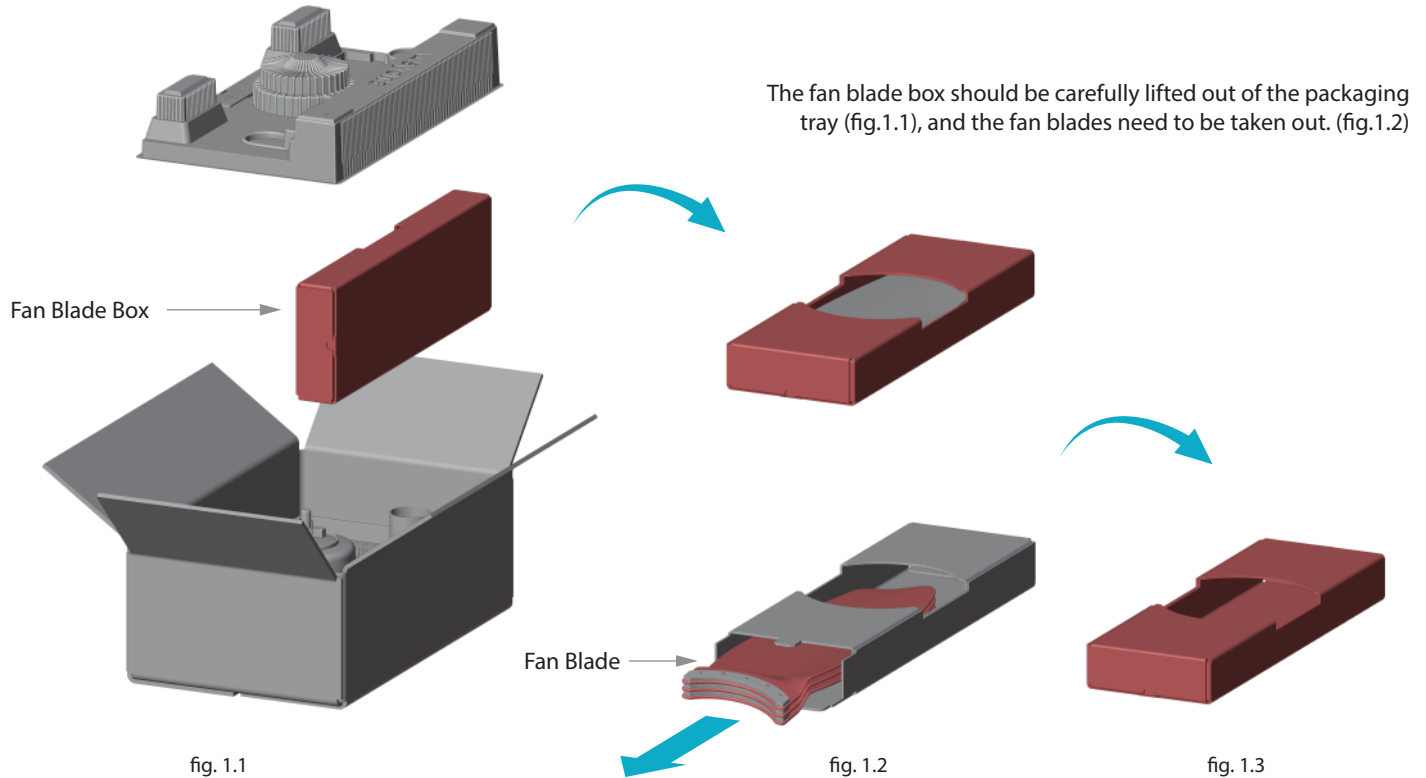
- To avoid the possibility of causing injury to the users or damage to properties, please follow all the instructions in the manual.
- The manufacturer will not be responsible for any accidents or injuries caused by defective, deficient installation or installation which does not follow this instruction manual.
- Electrical and installation work needs to be performed by qualified individual.
- Before installing or cleaning the fan, switch off the power from the main electricity panel.
- The fan must be mounted at minimum height of 1 foot from ceiling and 7 feet from the floor to prevent accidental contact.

SAFETY INSTRUCTIONS

- Tighten the blade screws firmly using the provided Allen Key. Do not over tighten.
- Use only 220 – 240 VAC., 50 Hz, single phase, power supply.
- Do not use the fan with a dimmer / regulator switch.
- Children should be supervised to ensure that they do not play with the appliances.
- Wipe away dirt with a clean soft cloth.
- This product is designed to be used only with the parts or accessories supplied with this product and or any accessories designed especially for use with this product by Syona.
- Use of any other parts or accessories not designed by Syona may turn the product warranty null.

3 INSTALLATION INSTRUCTIONS

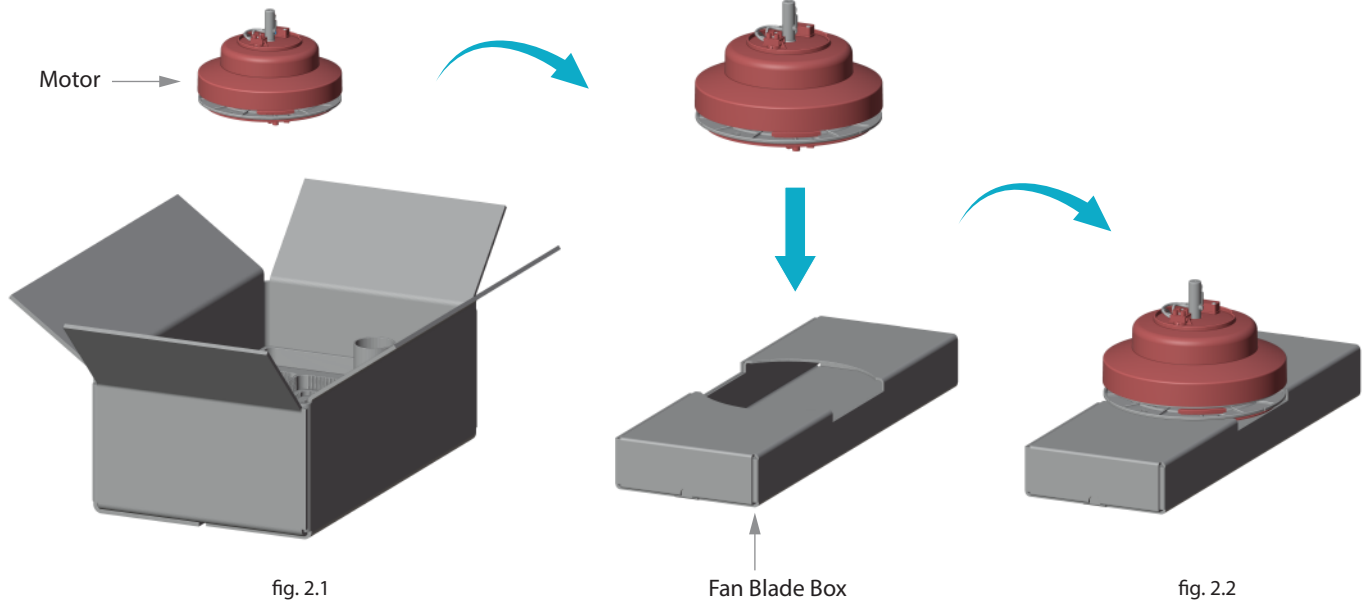
STEP 1



INSTALLATION INSTRUCTIONS

STEP 2

Carefully take the motor out of the box (fig.2.1) and place it over the round cutout provided on the fan blade box to **avoid the damage / breakage of PCB**. (fig.2.2)



STEP 3

Assembly

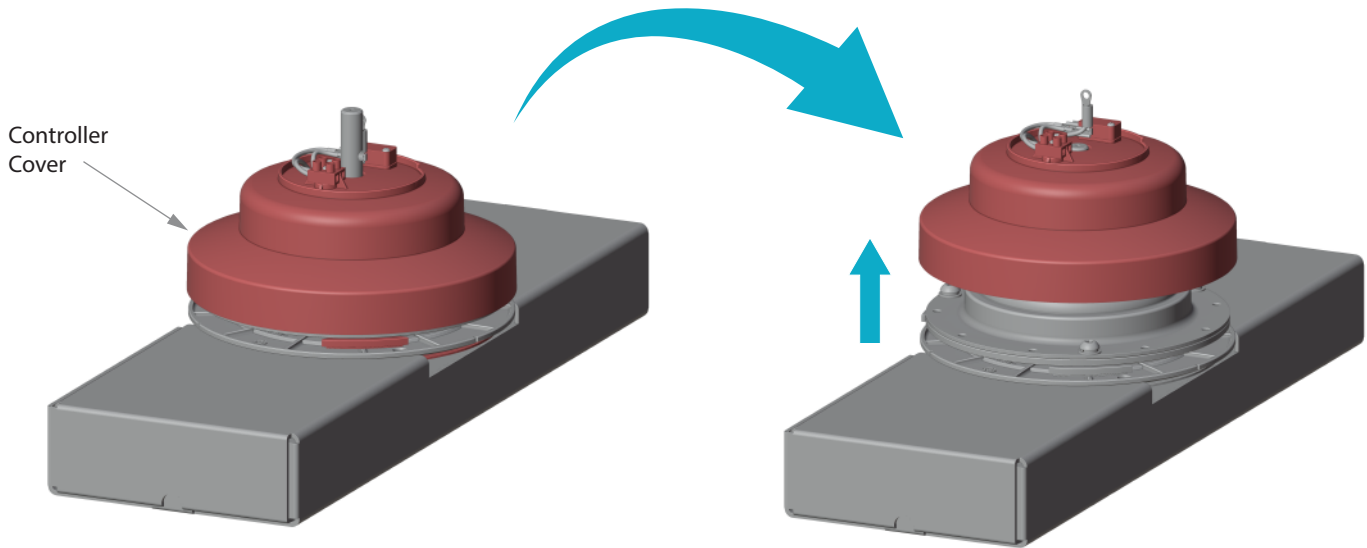
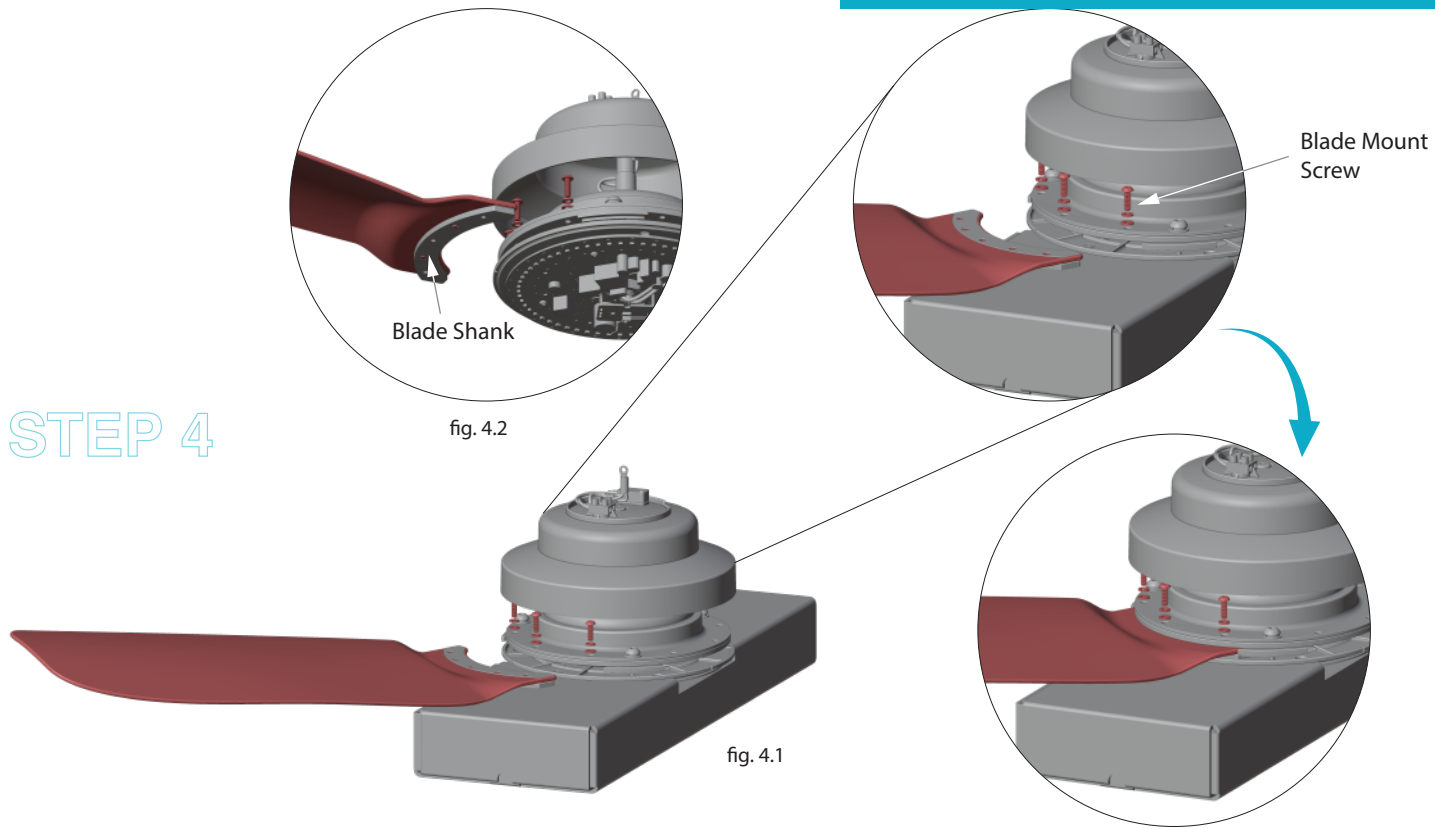


fig. 3.3

fig. 3.4

- Adjust the controller cover **upward** in the motor (fig.3.4), so that there is **enough space** to assemble the fan blade with the motor.

STEP 4



- Once the controller cover is adjusted, align the holes on the blade shank with the holes provided on the motor. (fig 4.1)
- Note: Make sure the blade shank is **facing downwards** during this installation (fig. 4.2). The blade shank should be placed on bottom side only.

STEP 5

Blade Mount
Screw

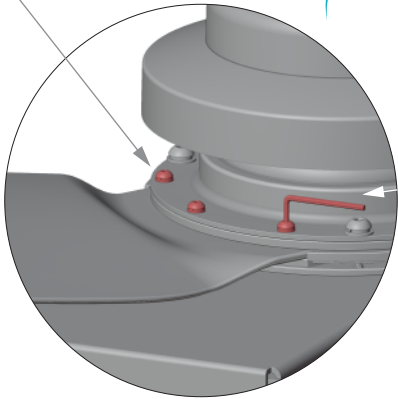


fig. 5.1

Allen Key

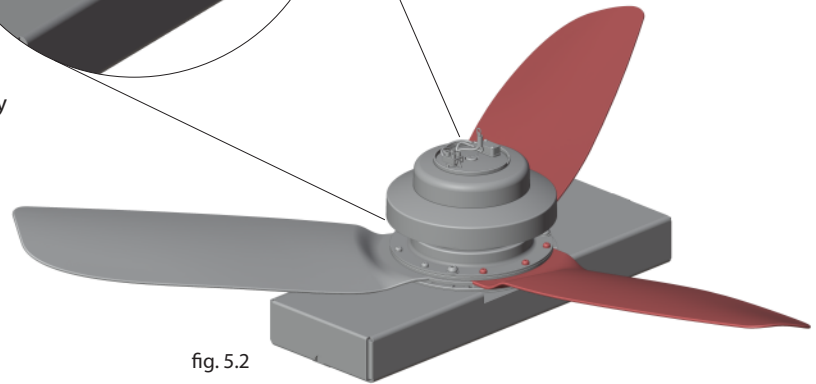
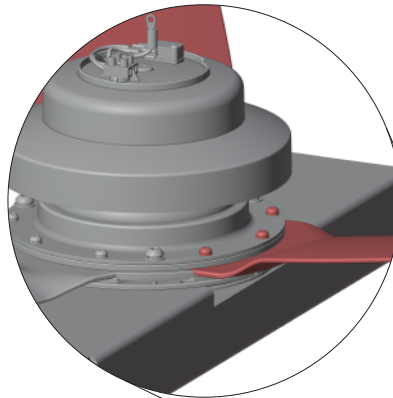


fig. 5.2

- Now insert the screw, spring washer and the plain washer from top (fig. 5.1) and tighten the same with the provided Allen key.
- Do not over tighten.
- **Repeat** the process for the next **two blades**. (fig. 5.2)

STEP 6

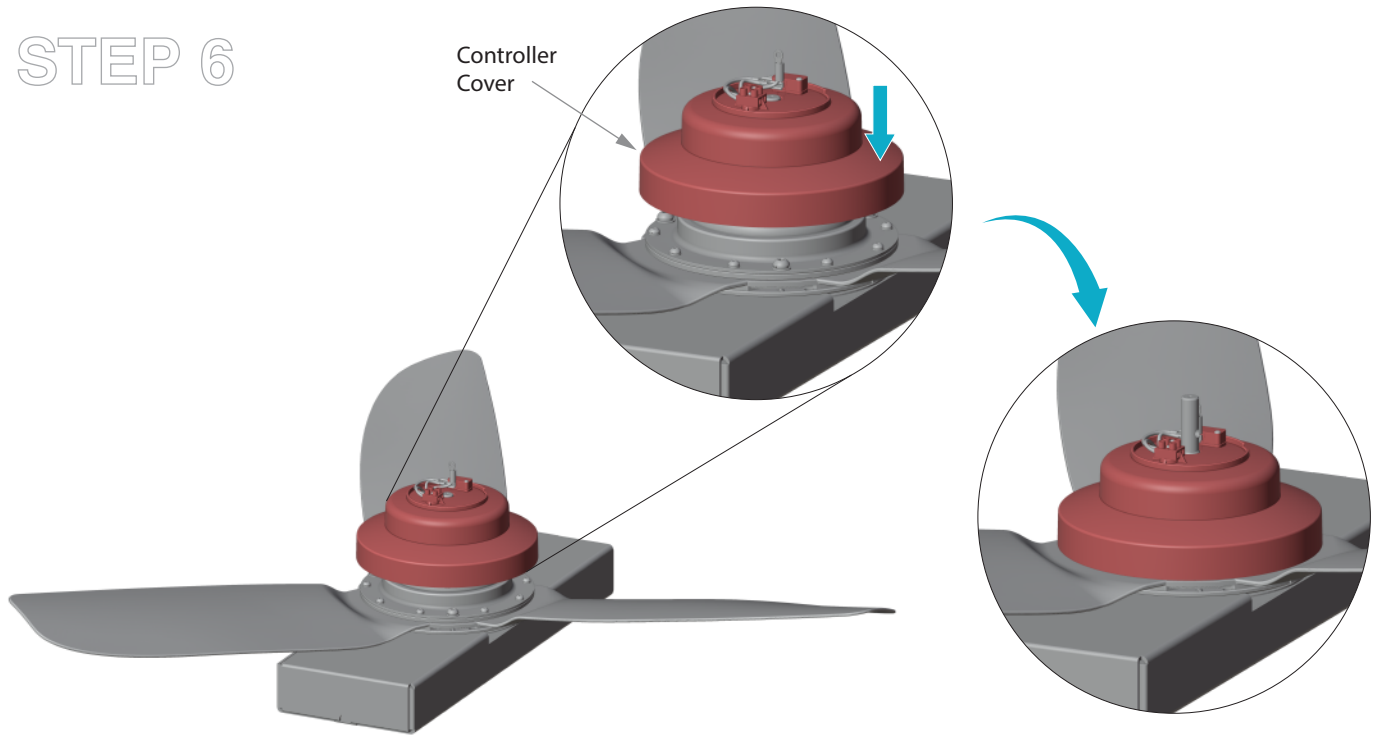
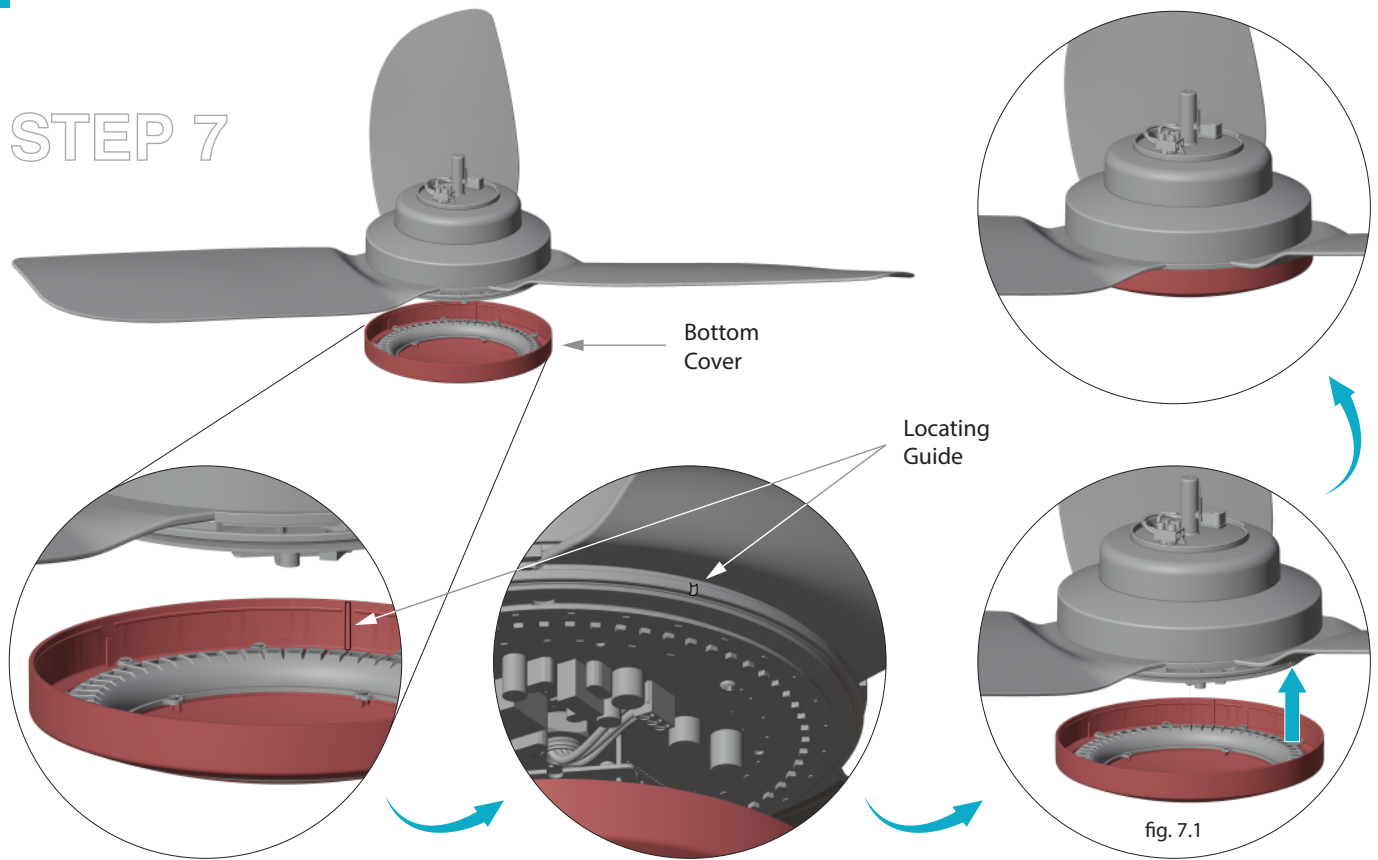


fig. 6.1

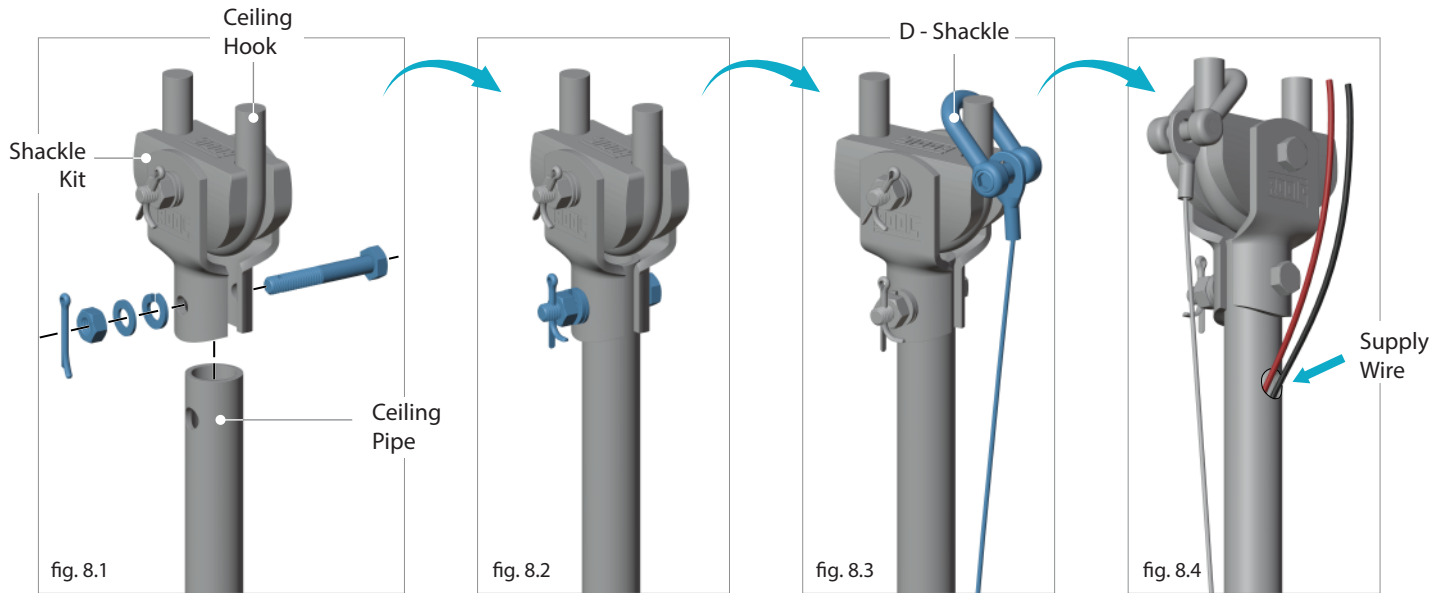
- After completing the fan blade assembly, adjust the controller cover to its previous position. (fig. 6.1)

STEP 7



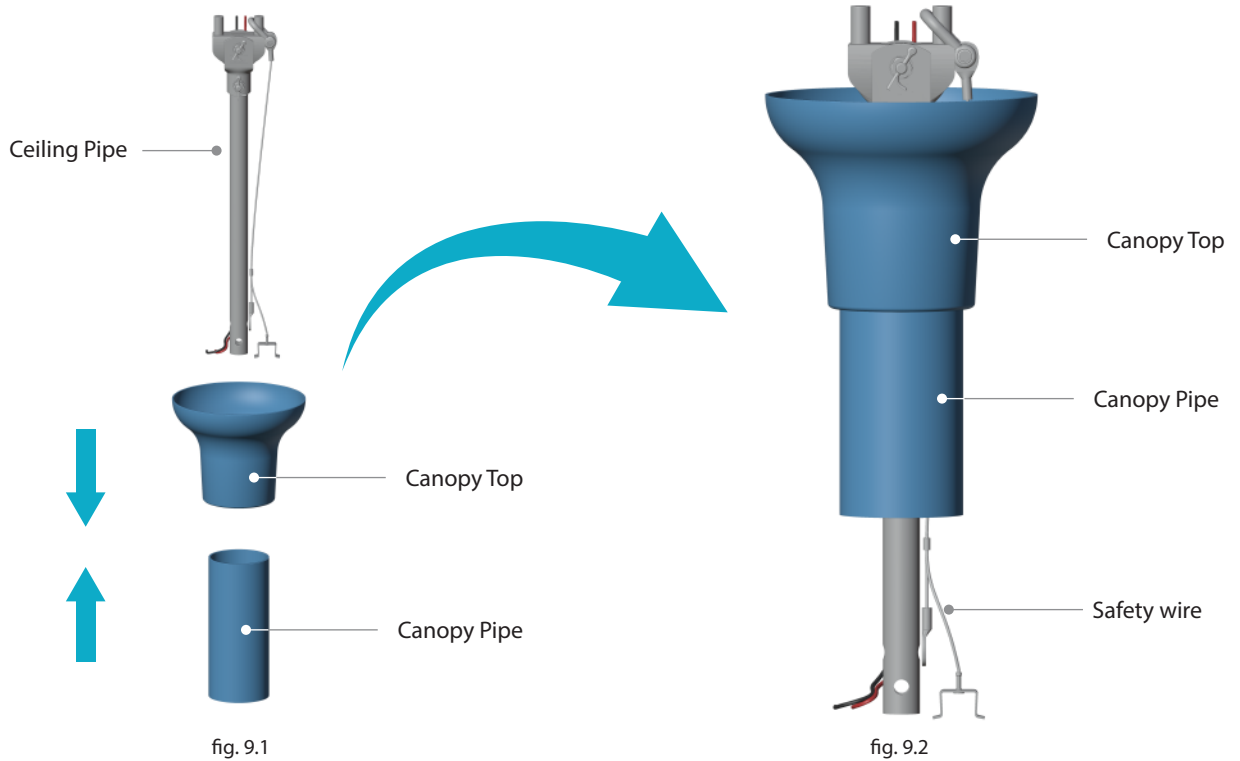
- Take the bottom cover from the packing tray and fit it into the motor (fig. 7.1), **making sure the locating guide is positioned properly and lightly press the cover.**

STEP 8



- Fix the shackle kit to the ceiling hook. Now, fix the top side of the ceiling pipe to the shackle using bolt, washer, spring washer and nut (fig. 8.1). Can use either one rubber bush in the ceiling clamp, depends on the fitment necessary.
- To avoid the fan wobbling and shaking, make sure the ceiling pipe is **perpendicular** to the floor, tighten the bolt and nut, insert the cotter pin into the bolt hole, and bend the ends of the cotter pin. (fig. 8.2)
- Clamp the "D" shackle of the safety wire to the ceiling hook, as shown in the image. (fig. 8.3)
- Now pass the supply wire through the routing holes in the ceiling pipe, as shown in the image if required. (fig. 8.4)

STEP 9



- Fix the canopy top and canopy pipe as shown in the image (fig. 9.1) and insert this assembly over the ceiling pipe and safety wire, as shown in the image. (fig. 9.2)

STEP 10

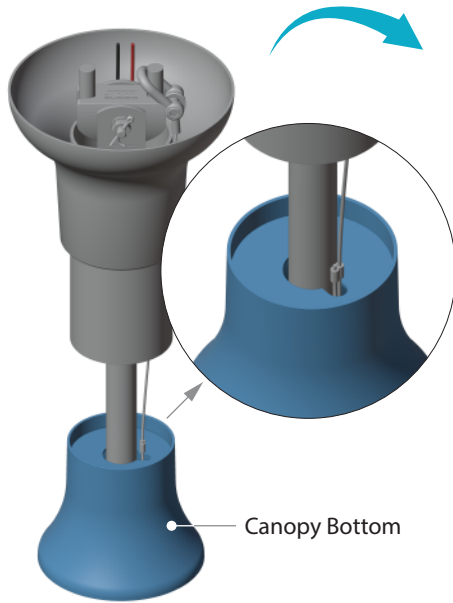


fig. 10.1

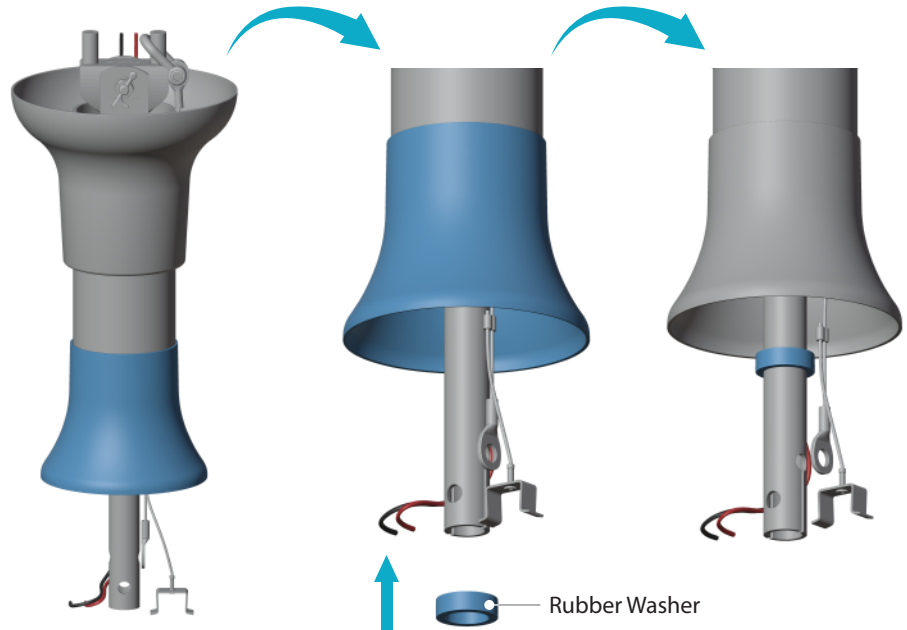
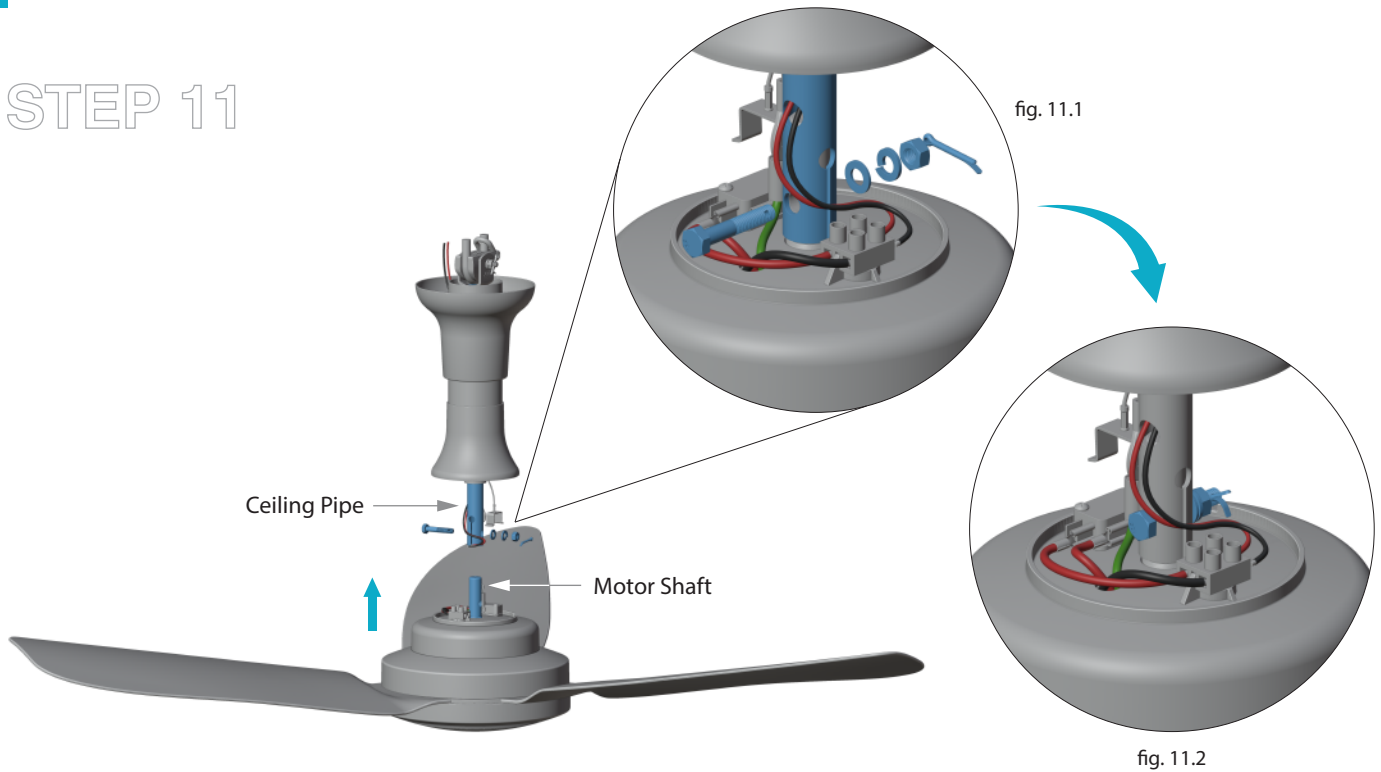


fig. 10.2

- Now fix the canopy bottom with the canopy pipe and adjust the assembly till the wire routing holes are visible
- Pass the safety wire and supply wire through the hole provided in the canopy bottom and align the **safety wire** and supply wire along the **slot provided** along the hole in the canopy bottom. (fig.10.1)
- Pass the safety wire and supply wire through the rubber washer and slide the rubber washer over the ceiling pipe (fig. 10.2) to hold the entire canopy assembly in place.

STEP 11



- Fix the motor shaft into the slit end of the ceiling pipe using the bolt, washer, spring washer and nut. (fig. 11.1)
- Ensure that it is fully tightened. (fig. 11.2)
- Once the bolt and nut are tightened, insert the cotter pin in the bolt hole and **bend the ends** of the cotter pin.

STEP 12

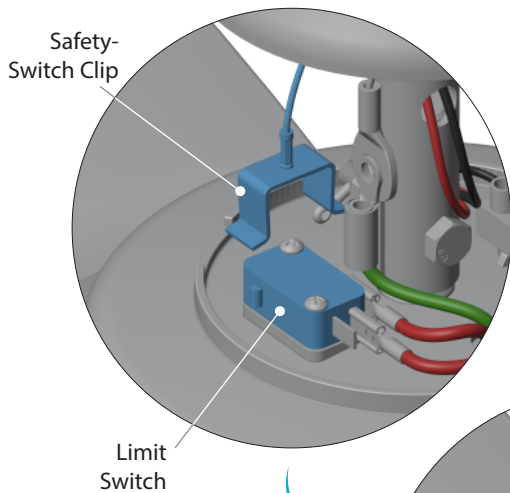


fig. 12.1

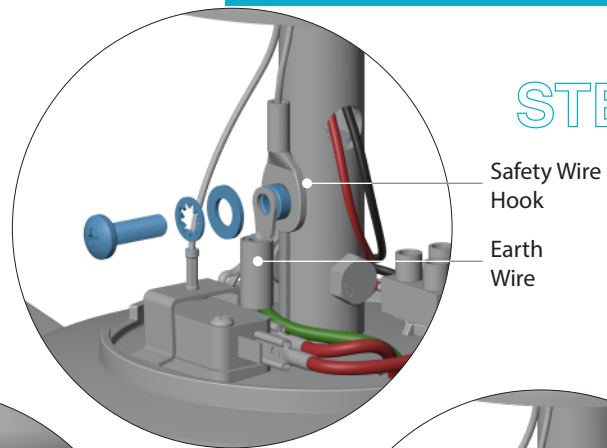
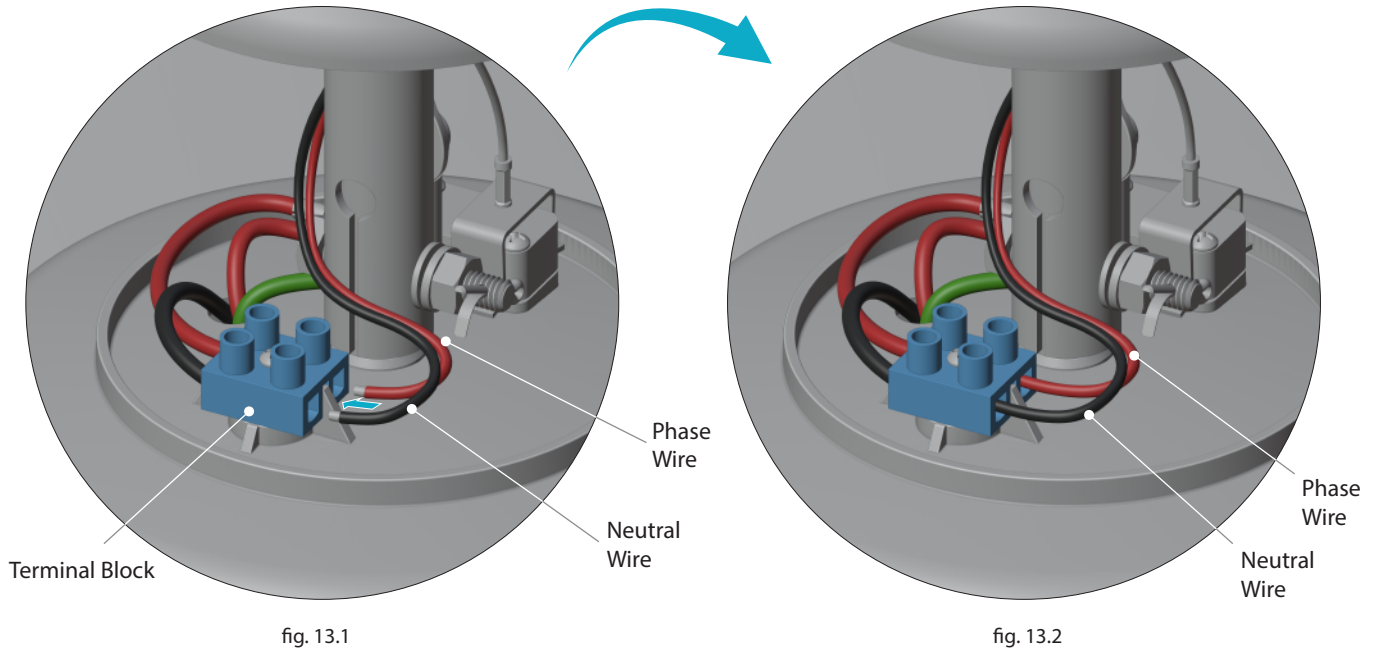


fig. 12.2



- Fix up to the end of the safety wire with the **clip** into the **limit switch** as shown in the figure. (fig. 12.1)
- Fix the the safety wire hook and earth wire on to the motor shaft using the safety wire screw set. (fig. 12.2)

STEP 13



Note:

- The phase and neutral wire from the motor is connected to the bottom side of the terminal block as show in the figure. (fig. 13.1)
- Insert the supply wire (phase and neutral) from the ceiling pipe to the top side of the terminal block. (fig. 13.1 & fig. 13.2)
- Any connections to wires must be securely sealed using the electrical insulation tapes to prevent any shock or fire hazards.

STEP 14



Eliminate the regulator from the connection before installing Hush fan

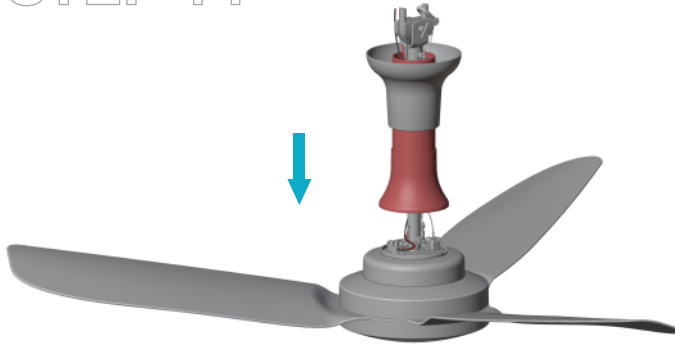


fig. 14.1

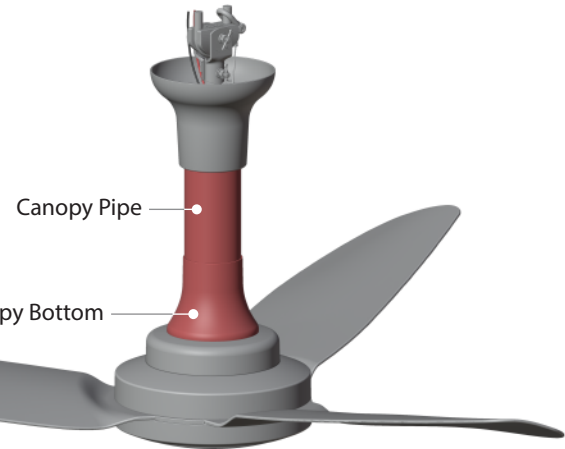
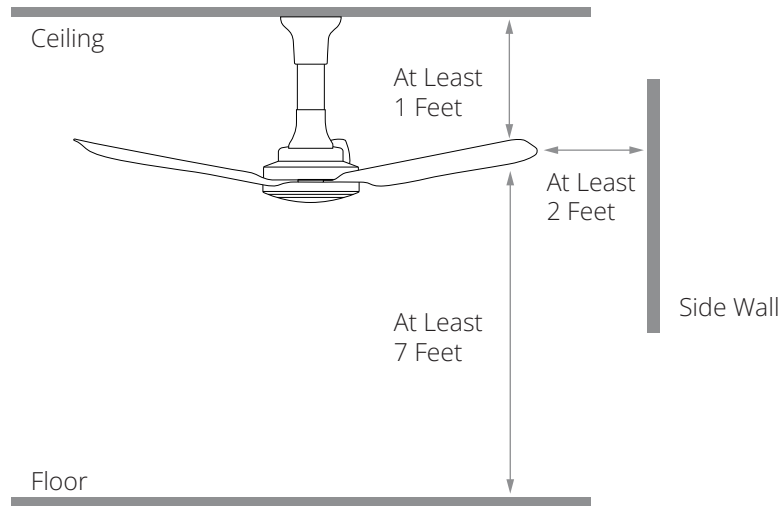


fig. 14.2

- Once the connection to operate the fan is intact, adjust the canopy top and bottom, such that it covers the shackle assembly and wirings over the controller cover, respectively. (fig. 14.1 & fig. 14.2)

STEP 15



- The fan must be hung with at least 1 feet of clearance from the ceiling for optimal performance and safety.
- Any object next to the fan must be at least 2 feet away from the tip of the fan blade to reduce any chances of risk or injury.
- The fan must be hung with at least 7 feet of clearance from the floor to the blades.
- Now turn ON the main supply to the fan.

4 PRODUCT SPECIFICATIONS

Parameters	Premium Plus	Premium
Input Voltage (V, A.C.)	220 - 240	220 - 240
Rated Frequency (Hz)	50	50
Sweep (mm)	1200	1200
Typical Speed (RPM)	250	250
Typical Input Power (Watts)	28	28
LED Input Power (Watts)	10	N/A
Power Factor	0.98	0.98
Air Delivery (m ³ /min)	230	230
Speed Control	Through Remote	Through Remote
Remote Battery	AAA 1.5V	AAA 1.5V

5 PRODUCT FEATURES



Low Power : consumes only of 28W at high speed.



Remote : For controlling the fan operation.



Clear : All the pre-set values of timer and sleep modes will be cleared.



Five Speed Control : Through remote (80, 120, 165, 210 and 250 rpm)



Reverse mode : Fan rotates reverse at a low speed to pull up the cool air in winter, this makes the room warmer. Select this function when air conditioner is ON.



Safety Wire : This provides additional safety to the product and the user by preventing the fan from falling down.



Breeze Mode: Fan gets into breeze mode at every first press and on the second press the fan returns back to the previous setting while before entering into breeze mode.

PRODUCT FEATURES



Sleep Mode : When Sleep Mode is enabled, fan starts to run at current RPM and every one hour the speed gets decreased from existing RPM level to next lower RPM level till it reaches 120 RPM and continues to run at 120 RPM until power OFF or clear function is enabled



Timer Control : Fan will turn OFF after 2/4/6/8 Hours. For every press the Turn-Off timer value increases by 2 hours and on every 5th press, it repeats from the 1st step.



Safety Switch : If in case the fan falls from the top clamp, this will stop the fan from running.



BLDC Motor : Super efficient BLDC motor, has a very less temperature rise, thereby increasing life of fan motor.



Inverter : Increased hours of operation with inverter.

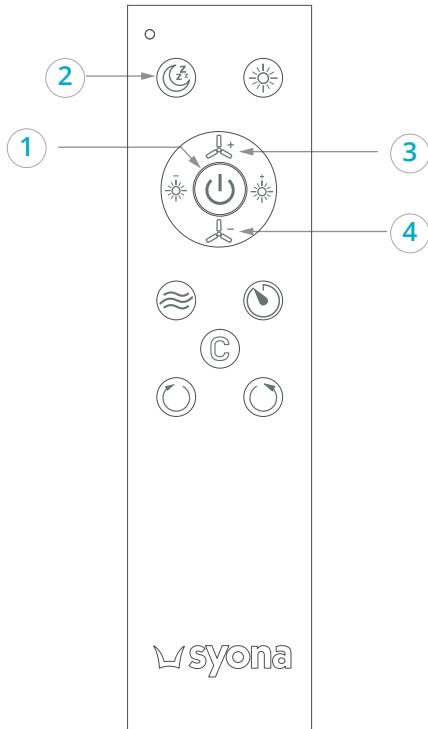


Value : Service value greater than 7.7 CMM/W



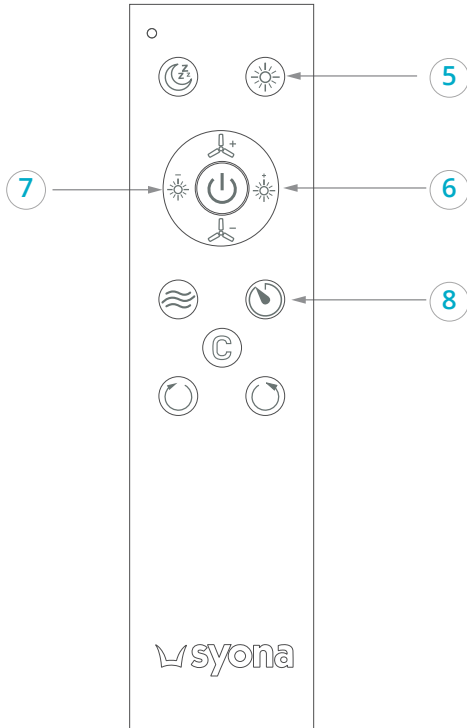
Efficient : Power factor 0.98

6 REMOTE FEATURES



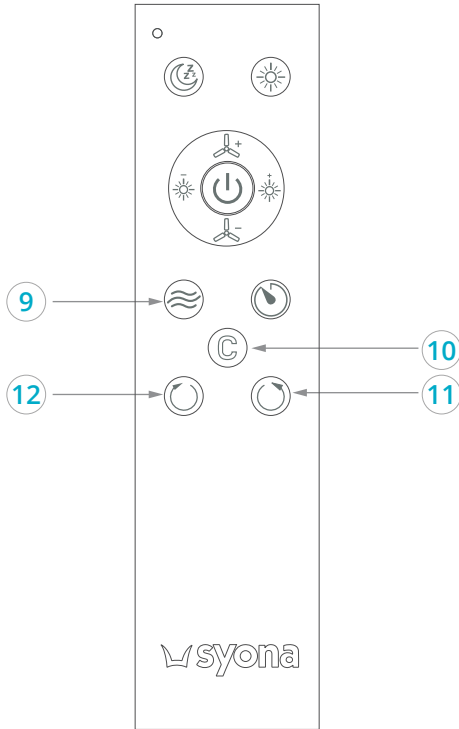
S.No	Function	Remarks
1	ON / OFF (Main)	<p>Press the power button once to activate the fan, and it will operate based on the last saved settings.</p> <p>Press the power button again to turn the fan off.</p>
2	Sleep Mode	<p>When Sleep Mode is activated, the fan initiates operation at the current revolutions per minute (rpm).</p> <p>Every hour, the fan speed gradually decreases from the existing rpm level to the next lower rpm level until it reaches 2nd speed.</p> <p>The fan will then consistently operate at 2nd speed until either the power is turned off or the Sleep Mode function is deactivated.</p>
3	Fan Speed Increase	<p>Press the speed increase button successively to adjust the fan speed. Each press will increase the speed by the following increments: 1, 2, 3, 4 and 5 speed.</p> <p>When on the fourth speed, hold the increase button for 2 seconds to transition to the fifth and maximum speed.</p>
4	Fan Speed Decrease	<p>Press the speed decrease button successively to adjust the fan speed. Each press will decrease the speed by the following decrements: 5, 4, 3, 2 and 1 speed.</p>

REMOTE FEATURES



S.No	Function	Remarks
5	LED Light ON / OFF	Press the light button once to activate the light, and it will illuminate based on the last saved settings. Press the light button again to turn the light off.
6	LED Light Brightness Increase	Press the brightness increase button successively to raise the LED brightness. Each press increases the brightness by the following increments: 10%, 20%, 30%, ... up to 100% of the total luminance.
7	LED Light Brightness Decrease	Press the brightness decrease button successively to lower the LED brightness. Each press decreases the brightness by the following decrements: 100%, 90%, 80% ... up to 10% of the total luminance.
8	Timer	The fan can be set to automatically turn off after 2, 4, 6, or 8 hours. Press the timer button to cycle through the available turn-off timer options. With each press, the timer value increases by 2 hours. On every 5th press, the cycle repeats from the 1st step.

REMOTE FEATURES



S.No	Function	Remarks
9	Breeze Mode	Press the breeze mode button for the first time to activate Breeze Mode. The fan will adjust its speed to operate in Low, Medium, and High breeze modes using the fan speed control button. Press the breeze mode button a second time to return the fan to its initial setting before entering Breeze Mode.
10	Clear	Press the clear button to reset all preset values for the timer and sleep mode.
11	Reverse Rotation	To set the fan to rotate in a clockwise direction, activate the reverse rotation feature.
12	Forward Rotation	To set the fan to rotate in an anti-clockwise direction, activate the forward rotation feature.

7 TROUBLE SHOOTING

- **Fan not rotating**
 - Check all connections / fuse / MCB on the main supply board.
 - Check the remote batteries. Press the remote button on.
 - Check if there is power supply from the switch.
- **Fan makes noise**
 - Make sure the motor, blade and down rod are properly fastened to the body.
 - Loose connections may cause accident.
 - Check the controller cover and bottom cover.
 - Ensure they are not touching the blades.
 - Make sure the shackle kit screw and nut are securely fastened along with the washer provided.
- **Fan rotates at low speed**
 - Check the power supply voltage. If it is less than 195V, wait until voltage is up over 195V.
- **Remote not working**
 - Check the remote batteries. Replace the worn out batteries.
 - Use "AAA" 1.5V batteries.
- **Excessive shaking**
 - Make sure the bolt is connected to the down rod.

TROUBLE SHOOTING

- **LED flickering**
 - **Fan stopped while running**
 - **Fan jerks upon startup**
- Check if the earth wire is properly fastened to the shaft.
 - In case you have selected timer function, the fan will stop after a fixed duration of the timer selection.
 - To start fan press the on/off button twice in the remote.
 - This is normal and may happen occasionally upon startup.
 - An initial jerking in forward and reverse does not affect the fan operation.

8 SAVINGS CALCULATION

Speed	Power Consumption (W)	
	Ordinary Fan	Hush Fan
1 (Low Speed)	20	8
2	30	11
3	40	16
4	50	23
5 (High Speed)	70	28

SAVINGS CALCULATION

Saving Calculation	Hush Fan	Ordinary Fan
Power Consumption per hour @ Highest speed (Watt)	28	70
Unit consumed per month @16 hrs./day	13.4	33.6
Electricity cost @ 7/-per unit for 2 years. (10 months of run time per year)	1876	4704
Break-even Additional cost in just 2 years.		2828

9 MAINTENANCE INSTRUCTIONS



- Clean the fan blades and motor using a soft damp cloth at regular interval. Do not use cleaning solvent.
- While cleaning, do not bend the fan blades.
- Check the tightness of the bolts/ fixing screw/ safety screw / shackle kit.



5 YEARS
WARRANTY

Manufactured and Marketed by :

Roots Industries India Private Limited

Kathirnaickenpalayam Road, Thoppampatti Post,
Coimbatore, Tamil Nadu - 641 017, India.
CIN: U02520TZ1990PTC002987

Customer Care Contact :

Mob. No. : +91 - 75500 17330
Toll-Free No. : +91 - 95978 12345
Email : customercare@syonafans.com
Web : www.syonafans.com

Follow us on:

   Syona Ceiling Fans